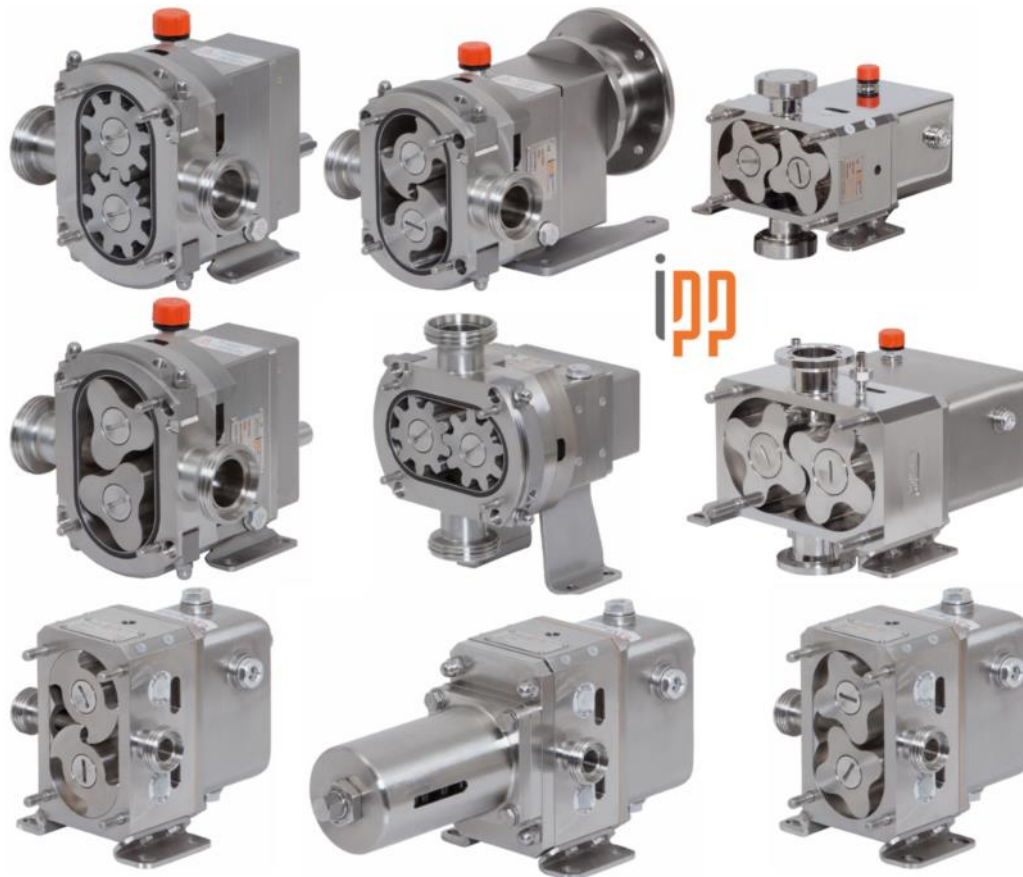


iPP-Lobe Pumps

Fluid Transfer & Metering Applications



info@iPP-Pumps.com

+1 562-989-5432

www.iPP-Pumps.com

Food industry : Sugar, starch, mashed potatoes, lard, vitamins, glucose syrup, coffee essence, lecithin, glycerin, baby food

Bakery products: Dough, shortening, stuffing, coating

Bio technology: Vaccine, dilutions, cell cultures, ultra-filtrates, cross flow-filtrations, blood, blood plasma

Chemicals: Flavoring compounds, acid, base, varnish, paints, polymers, resin, wax, solvents, glue, adhesives, binders, latex, glycerin, lecithin, hydro carbon

Food Stuff: Eggs, mayonnaise, dressings, sauces, soups, stews, ketchup, mustard, tomato puree

Meat products: Sausage meat, minced meat, spice, gelatin

Beverages: Alcohol, beer, yeast, fruit juice, lemonade, mineral water, fruit juice concentrate, liqueur, wine, syrup

Cosmetics: Shampoo, shower gel, soaps, lotions, creme, lip stick, suntan oil, perfume, gels, tooth paste

Dairy: Curd cheese, yogurt, pudding, cheese, butter, whey, cream, soured milk, margarine

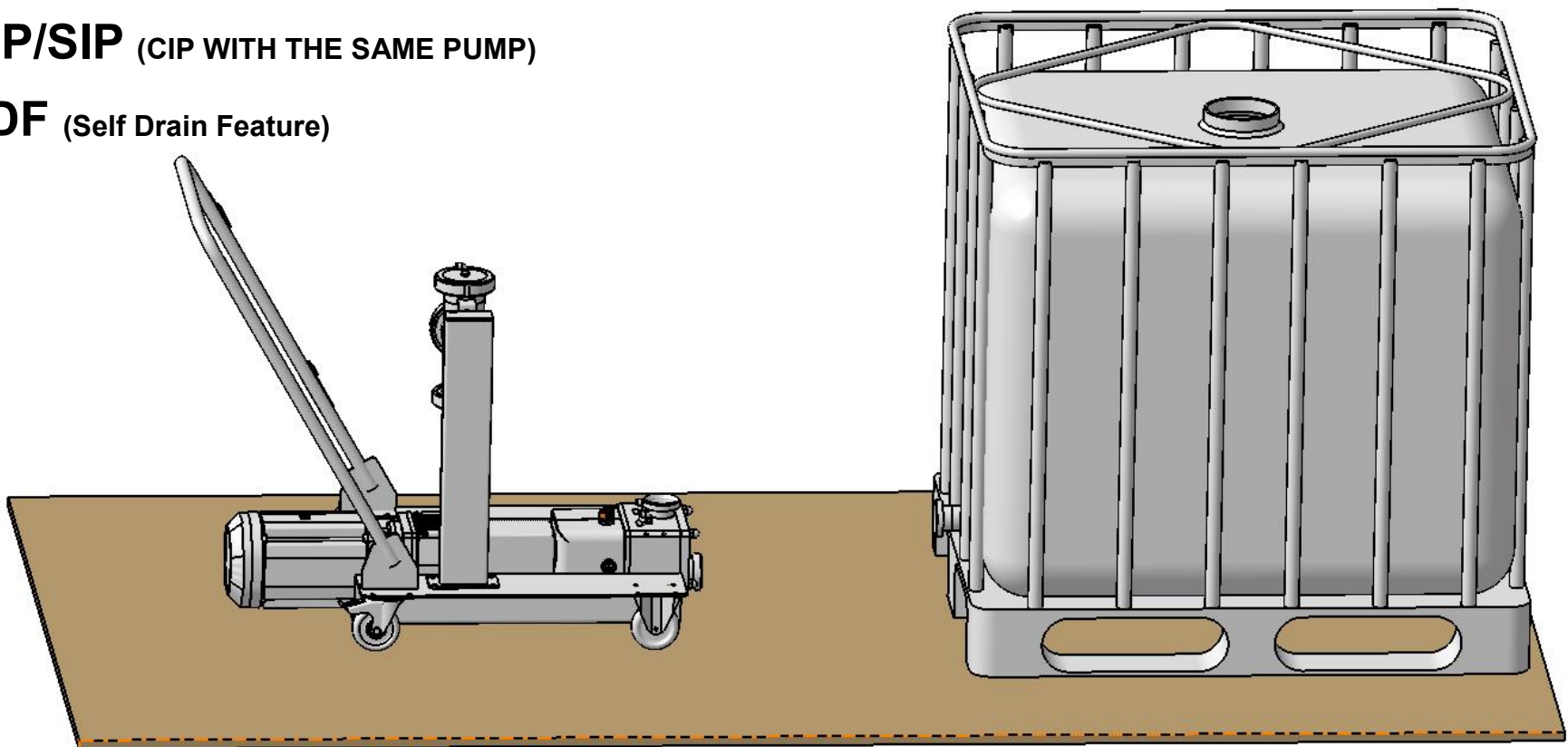
Pharmaceuticals: Raw materials, ointments, sera, cough syrup, plant essences

Confectionary, Candy: Chocolate, marzipan paste, liquid sugar, fudge, jam, marmalade, honey, fruit preparations, sugar mixtures, starch, cocoa butter

Fluid Transfer & Metering Applications

iPP-Lobe Pumps

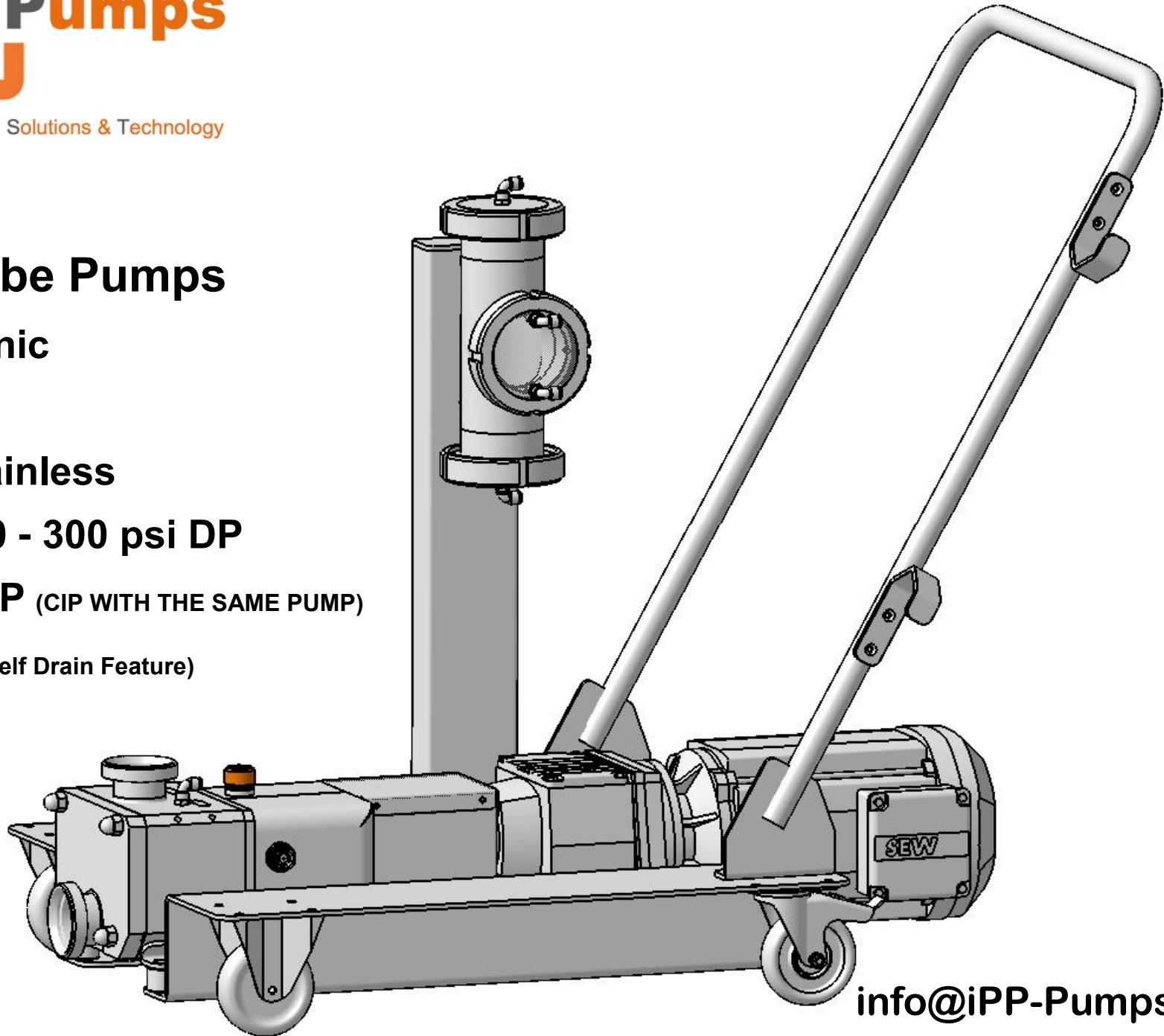
- Hygienic
- EHDG
- All stainless
- To 100 - 300 psi DP
- **CIP/SIP** (CIP WITH THE SAME PUMP)
- **SDF** (Self Drain Feature)



info@iPP-Pumps.com

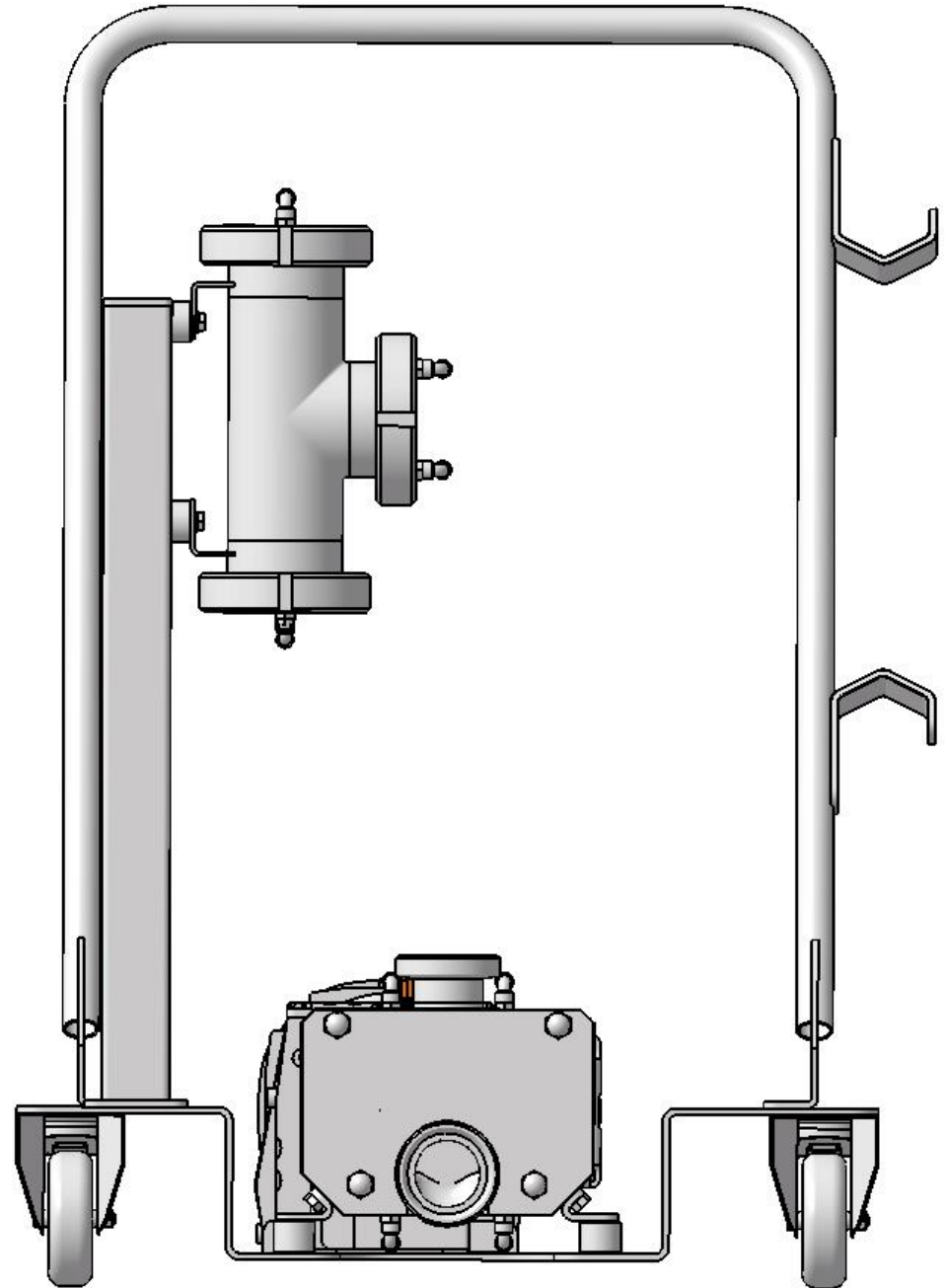
iPP-Lobe Pumps

- Hygienic
- EHDG
- All stainless
- To 100 - 300 psi DP
- CIP/SIP (CIP WITH THE SAME PUMP)
- SDF (Self Drain Feature)



iPP-Lobe Pumps

- Hygienic
- EHDG
- All stainless
- To 100 - 300 psi DP
- CIP/SIP (CIP WITH THE SAME PUMP)
- SDF (Self Drain Feature)

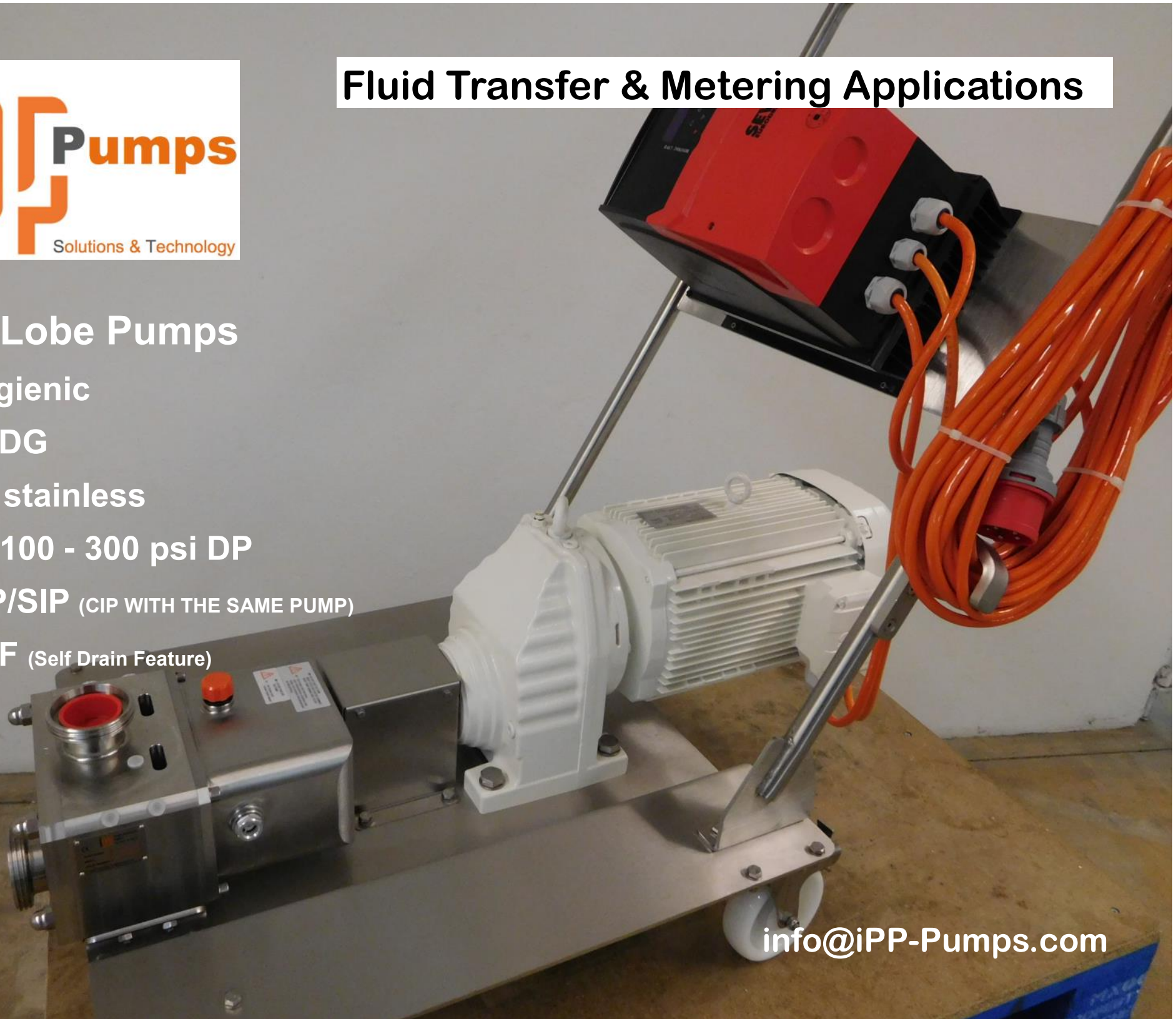




Fluid Transfer & Metering Applications

iPP-Lobe Pumps

- Hygienic
- EHDG
- All stainless
- To 100 - 300 psi DP
- CIP/SIP (CIP WITH THE SAME PUMP)
- SDF (Self Drain Feature)



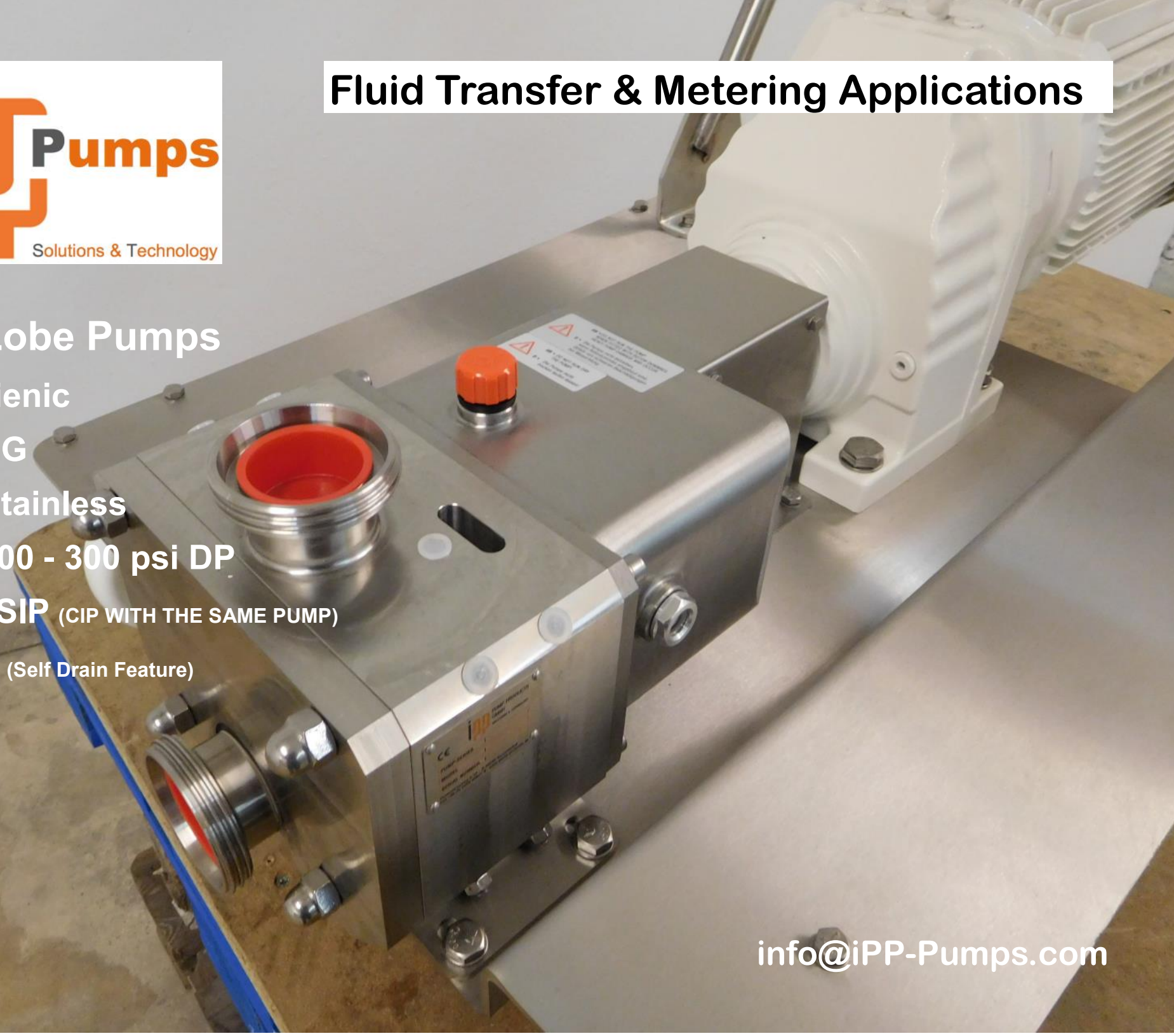
info@iPP-Pumps.com



Fluid Transfer & Metering Applications

iPP-Lobe Pumps

- Hygienic
- EHDG
- All stainless
- To 100 - 300 psi DP
- CIP/SIP (CIP WITH THE SAME PUMP)
- SDF (Self Drain Feature)



info@iPP-Pumps.com



Fluid Transfer & Metering Applications

iPP-Lobe Pumps

- Hygienic
- EHDG
- All stainless
- To 100 - 300 psi DP
- CIP/SIP (CIP WITH THE SAME PUMP)

info@iPP-Pumps.com